

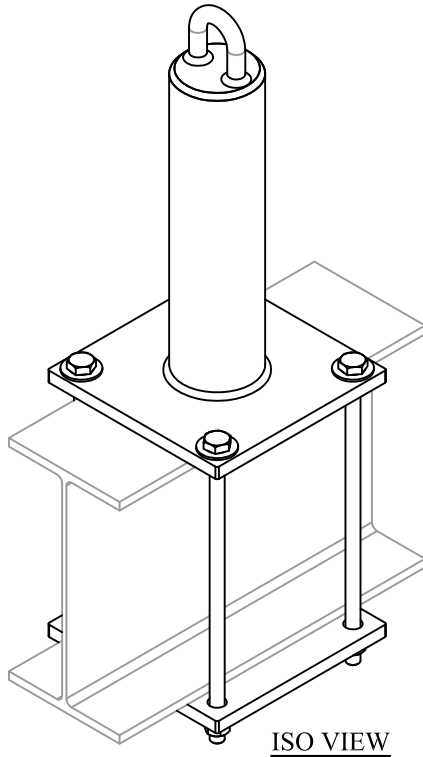
Design Guidelines:

1. All fall arrest anchors are designed in accordance with Federal OSHA standards and the ANSI-IWCA I-14.1 Window Cleaning Safety Standard.
2. All fall arrest anchors are designed for a working/rated load of 1,250 lbs and a breaking/fracture load of 5,000 lbs (4-1 Safety Factor).
3. All fall arrest anchors have been evaluated by industry typical structural evaluation and/or testing methods.
4. The additional live loads imposed by the fall arrest anchors on the structure to which they are attached shall be verified by the structural engineer of record for the project.
5. All welding shall be done in accordance with the AWS structural welding code.
6. All structural fasteners shall be tightened to the following torque values:

Diameter	in*lb	ft*lb
5/8"	720	60
3/4"	1200	100
1"	1800	150

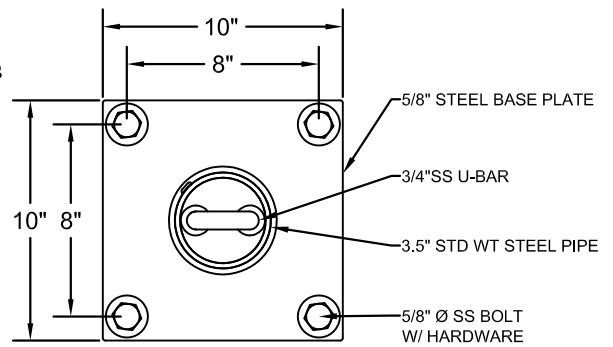
Material Specifications:

- Steel W-Shapes: ASTM 572 (50 ksi)
- Steel Pipe: ASTM A53 (35 ksi)
- Steel Tube: ASTM A500B (46 ksi)
- Steel Angle: ASTM A36 (36 ksi)
- Steel Channel: ASTM A36 (36 ksi)
- Steel Plate: ASTM A36 (36 ksi)
- Stainless Steel: Type 304 (30 ksi)
- Stainless Fasteners: Type 18-8 (30 ksi)

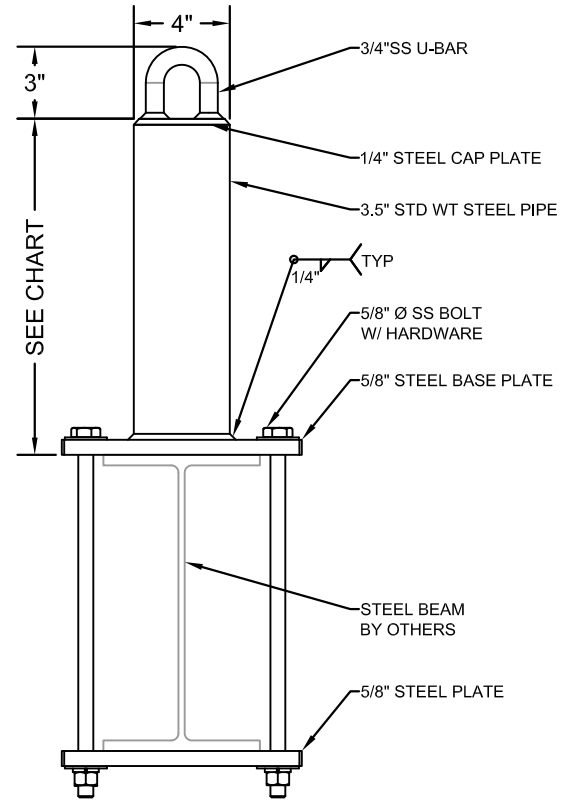


ISO VIEW

Warning: All fall arrest anchors shall be used as part of a complete fall protection system designed in accordance with all OSHA, ANSI and other equivalent safety standards. Only qualified persons experienced in the installation methods shall install fall arrest equipment. All users shall be properly trained to use the equipment safely and properly inspect fall protection system prior to each use. Incorrect use and/or installation of the fall protection equipment may result in property damage, personal injury or death. All equipment shall be annually inspected by a qualified person and re-certified at periods not to exceed 10 years under the direct supervision of a licensed professional engineer.



TOP VIEW



FRONT VIEW

All anchors shall be hot dipped galvanized unless otherwise noted. Stainless Steel and other weather protective coatings are available. Please contact a representative for availability.

Beam Wrap Roof Anchor Class		
	Height	Working Load
BWRA.1010.12	12"	1250 lbs
BWRA.1010.14	14"	1250 lbs
BWRA.1010.16	16"	1250 lbs
BWRA.1010.18	18"	1250 lbs
BWRA.1010.20	20"	1250 lbs
BWRA.1010.22	22"	1250 lbs
BWRA.1010.24	24"	1250 lbs

BEAM WRAP ROOF ANCHOR CLASS

BWRA.1010 Class

Date	Revision
0 8/1/2011	Annual Anchor Specification Issue
1 09/03/2013	Revised Installation Torque in Notes

SHEET NUMBER

AN.09

THESE DRAWINGS ARE THE PROPERTY OF PROFESSIONAL FALL PROTECTION SUPPLY, INC AND SHALL NOT BE USED, COPIED, OR REPRODUCED WITHOUT THE WRITTEN PERMISSION OF PROFESSIONAL FALL PROTECTION SUPPLY, INC, 204 PHILLIPS LANE, GREER, SC 29615



AMERICAN ANCHOR WWW.AMERICAN-ANCHOR.COM
71 ELM STREET, SUITE 3, FOXBORO, MA 02035 800-371-8221